

## The Use Case Focus Is

- Topology Discovery
- Root Cause Analysis
- E2E Path Troubleshooting
- VPN Provisioning

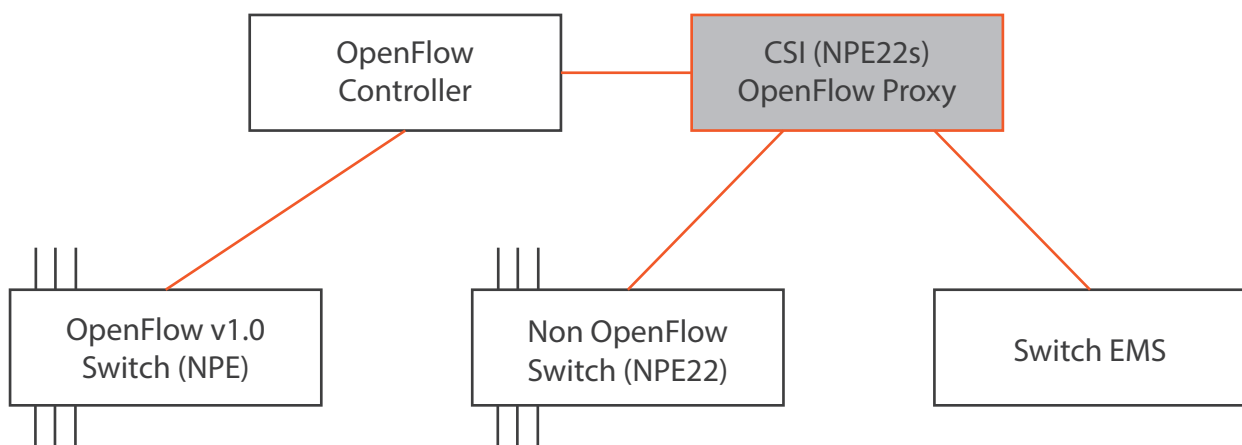
## Benefits

- Immediate start of SDN projects
- No need to wait for difficult Network Element upgrades
- Can be used with NPE, EPE, UPE, switches, routers
- Read-only mode for safe SDN project start
- Faster Root Cause Analysis
- Accurate 'as-built' network port inventory
- Fast VPN deployment
- More responsive to customer needs
- Immediate improved bandwidth utilization
- Allows for delayed trunk upgrades

## Compliance

- Broadband Forum TR-101
- ONF OpenFlow 1.3
- OpenFlow 1.1
- OpenFlow 1.0
- VMware
- Metro Ethernet Forum Carrier Ethernet 2.0 (pending)

## Architecture



***The cloud server can be installed in your network or run in our external cloud as Software as a Service (SaaS) with no additional equipment.***